

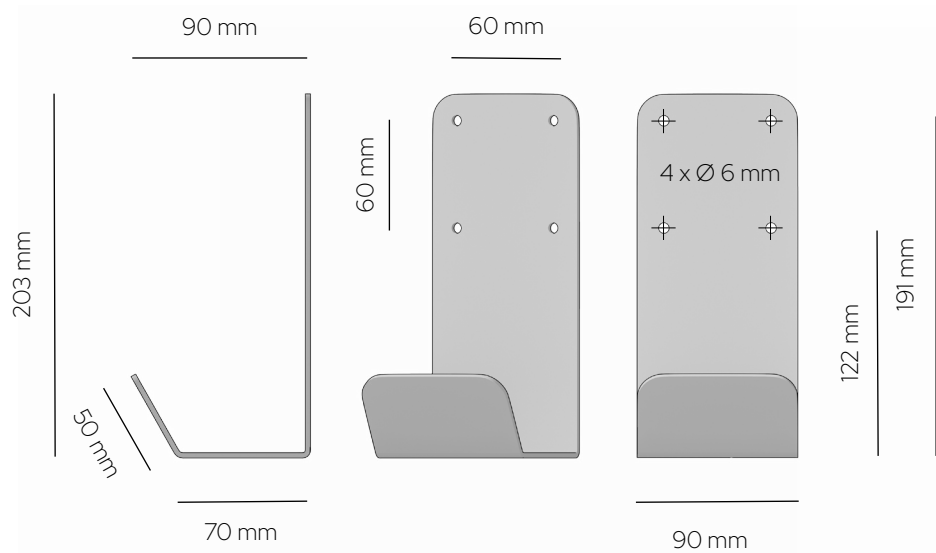
# UNIVERSAL CHARGING CABLE HOLDER



Made of powder-coated aluminum. Designed to keep your charging cable safely in place.

Suitable for mounting on walls, facades or poles.

The kit includes four self-drilling screws, expansion anchors and blindcaps.



Material	Aluminum, black powder-coated
Height	203 mm
Depth	90 mm
Width	60 mm
Material thickness	3 mm