

Stilo

Quick Guide

Congratulations on your purchase of Enelion Stilo charger and thank you for trusting us. Before the installation make sure that the box contains all accessories: Enelion Stilo charger, a short version of the User Manual, a RFID card, Torx T25 bit, wall mounting template.



The current version of the manual and installation guide is available at <http://enelion.com/en/help/>

Introductory information

Enelion Stilo weights 4850 g. The device is not provided with wall anchors/screws. These should be selected according to the device weight and the holes in the wall.

The device should be mounted onto a flat vertical, using the 4 holes with 5,5 mm diameter at the back of the device. Use countersunk screws only. The device is accompanied by a template to enable easy mounting and marking the mounting points. The manufacturer is not liable for damages resulting from incorrect installation of the device on the wall. Installation should be carried out by a competent person who has read the requirements of this manual and is equipped with the tools necessary for proper installation.

Preparing the wiring system

Power service connection for the charging terminal must be equipped with a proper overcurrent circuit breaker which is proper for the available power capacity in the connection, the charger configuration and the power supply. The overcurrent circuit breaker also functions as the charging station main switch. The wire cross-section must be selected based on the current configured in the charger and the wire length.

To be compliant with the PN-EN IEC 61851-1: 2019-10 standard, each charging point must also be protected against type A or B residual current. This requirement must be met by one of the below:

1. RCD type B (30 mA/40 A) or RCD EV (30 mA/40 A) in the switchboard,
2. RCD typu A (30 mA/40 A) in the switchboard with the application of Enelion RCM B - attached to the charging terminal.

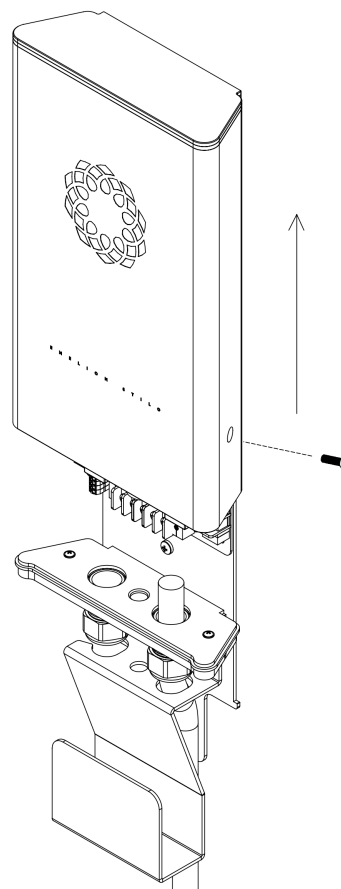
The charger's supply line connected directly to the counter should be separated from other devices.

Opening the device

The device comes in a closed casing. In order to open the device it is necessary to use a Torx T25 bit provided with the device. Closing of the device is performed by repeating the steps in the reverse order.

1. Locate the device closing bolt and remove it, using the torx T25 bit (included) and a screw driver.

2. Hold the casing and slide it up the guiding grooves to remove it.
3. Store the casing in a safe place.



Mounting the device

1. Determine the target position of the device using the attached template and the level and mark the mounting holes.
2. Make mounting holes in the wall and install wall expansion bolts.
3. Put the wall anchor to the holes and fix it with bolts.
4. Make sure there is no voltage on the power supply cable and prepare it according to the instruction.
5. Open the charging terminal according to the instructions in Section Opening the device.
6. Put the open device to its final position by threading the power cord through the gland of the down side of the housing (hole A) and hook it on the previously installed anchor.

⚠ WARNING

Cables connection should be done according to the diagram. Pay attention to the order of phases, according to the description at connectors.

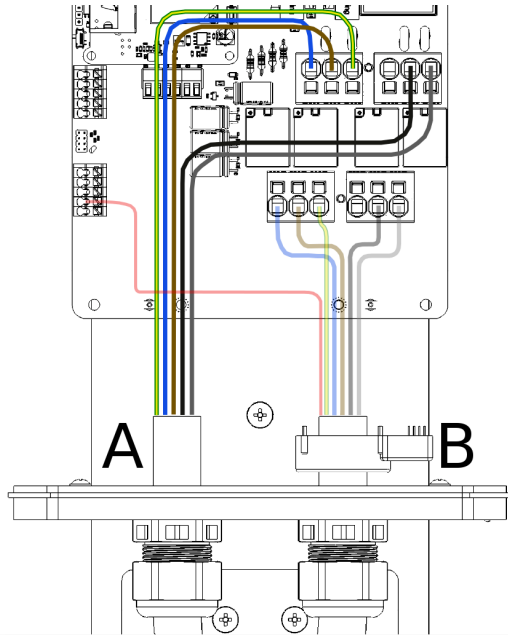
7. Optionally Insert the length of at least 35cm of the communication cables into the device.
8. Fix the device to the wall anchor with a mounting screw.
9. Screw on the power cable gland ensuring tightness.
10. Secure the hook of the charging cable with the fastening screws.
11. Push from up side closing the aluminum housing onto the device from the top and secure it from the side with an anti-theft screw, according to the information in the section Opening the device.

⚠ WARNING

Be careful not to crumple the signal tape while fitting the front panel.

⚠ WARNING

The connection must be made by a person with the right qualifications.



⚠ WARNING

The manufacturer is not liable for damages resulting from not following the connection diagram presented above and not ensuring proper wire connection.

⚠ WARNING

Fixing the device firmly is crucial to its proper operation when in service.

ℹ INFO

More detailed information is in the Stilo Assembly Manual.

Preparing for use

Before the initial use of the charger make sure that:

1. The charger has been properly installed and poses no risk to the safety of the user.
2. The charger starts properly and informs about being ready to use - led bar flashing blue.
3. The charging station has been configured properly and interaction with the user is going in the correct and intuitive way.

Starting to charge

In order to start charging a car place the user card onto the RFID reader located behind the top cover. Applying the correct card will be signaled with lightening a sequence of diodes on a light bar in green and in one direction. Once the card is accepted:

1. connect the charging cable to the car,
2. make sure, that charging started.

After performing those actions the charger will enter into the charging mode, which is communicated with a green light on the light bar. When charging the light bar will pulsate, radiating from the center towards the edges. A uniform green color on the light bar means the charger is ready for charging and is waiting for response from the car.

Finishing charging

In order to finish the charging process disconnect the charging cable from the car. It will cause the charger will return to stand-by. In case of RFID configuration applying the correct card once more will also result in stopping the charging process.

Technical data

Mechanic specifications	
Dimensions (width x height x depth)	185 mm x 430 mm x 56 mm
Weight	4,85 kg
IP Class	IP54
Mechanical strength class	IK10

Electrical specifications	
Power supply cable cross-section	Suggested minimal cross-section: <ul style="list-style-type: none"> • 5 x 2,5 mm² (nominal current 16 A) • 5 x 6,0 mm² (nominal current 32 A)
Supply voltage (Europe)	3 x 230 V/400 V _{AC} (+/-10%)
Voltage frequency	50 Hz/60 Hz
Type of network	TN, TT
Overcurrent protection	Not part of the device. The protection must be made in compliance with the local regulations and with the device version.
Residual current device	RCD B switch or Enelion RCM B + RCD A
Protection class	Class I
Cable variant	Type 2, standard plug 32 A/400 V _{AC} according to EN 62196-1

Environment	
Working temperature	from -25 °C to 55 °C
Storing temperature range	from -40 °C to 80 °C
Acceptable relative air humidity	from 5% to 95%
Altitude	maximum 2000 m

© 2021 ENELION

The instruction may be changed as the product develops. There is no guarantee as to the accuracy of the provided information. All rights reserved.

Document version: V 1.2
Date of issue: April 30, 2021

ENELION Sp. z o.o.
ul. Pana Tadeusza 50, 80-123, Gdańsk, Polska
www.enelion.com