

Wallbox

Quick Guide

Congratulations on your purchase of Enelion Wallbox charger and thank you for trusting us. Before the installation make sure that the box contains all accessories: Enelion Wallbox charger, a short version of the User Manual, a RFID card, 3 mm Allen key, cable gland sealing plug, wall mounting template.



The current version of the manual and installation guide is available at <http://enelion.com/en/help/>.

Introductory information

Enelion Wallbox weighs 2750 g. The device is not provided with wall anchors/screws. These should be selected according to the device weight and the holes in the wall.

The device should be mounted onto a flat vertical, using the 4 holes with 5,5 mm diameter at the back of the device.

The device is accompanied by a template to enable easy mounting and marking the mounting points. The manufacturer is not liable for damages resulting from incorrect installation of the device on the wall. Installation should be carried out by a competent person who has read the requirements of this manual and is equipped with the tools necessary for proper installation.

Preparing the wiring system

Power service connection for the charging terminal must be equipped with a proper overcurrent circuit breaker which is proper for the available power capacity in the connection, the charger configuration and the power supply. The overcurrent circuit breaker also functions as the charging station main switch. The wire cross-section must be selected based on the current configured in the charger and the wire length.

To be compliant with the PN-EN IEC 61851-1: 2019-10 standard, each charging point must also be protected against type A or B residual current. This requirement must be met by one of the below:

1. installation of a type B residual current device (RCD B 30 mA/40 A) or RCD EV (30 mA/40 A) in the switchboard,
2. installation of a type A residual current device (RCD A 30 mA/40 A) in the switchboard with the application of Enelion RCM B – type B Residual Current Monitor, attached to the charging terminal.

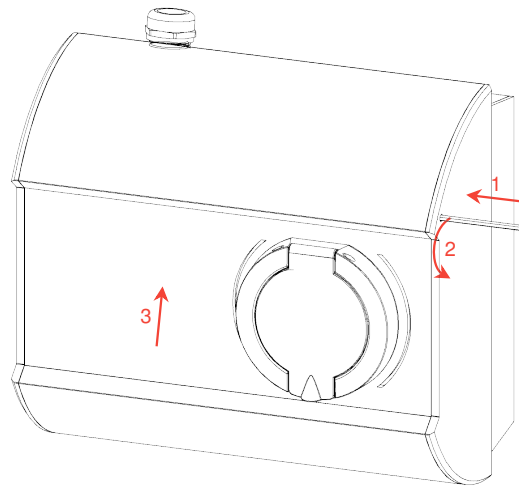
The charger's supply line connected directly to the counter should be separated from other devices.

Opening the device

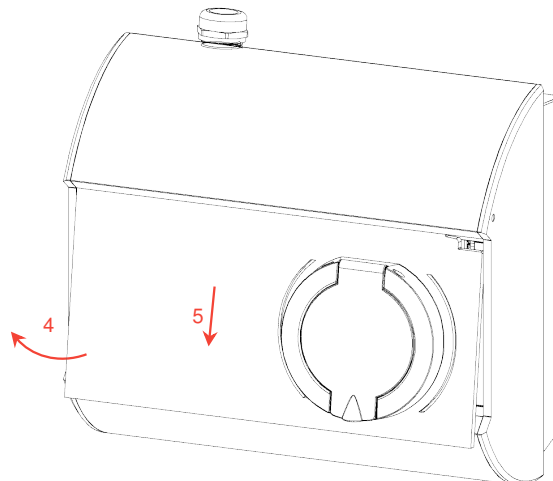
The device comes in a closed casing. In order to open the device it is necessary to use a 3 mm Allen key provided with the device.

1. Place the Allen key in the opening on the right side of the device.
2. With about 11 twists to the left unlock the front panel. If you feel strong resistance do not continue to twist the security screw.

3. Move the front panel up while holding the socket case (not the lid) — optionally use a sucker — until you can see the bottom edge of the front panel.



4. Next, pull the bottom part of the panel while holding the socket case until the casing is displaced.
5. Holding the front panel in the same plane, slide it down out of the frame at the top of the device.
6. Slowly continue removing the front panel making sure the socket lock does not catch on the casing.



The front panel may be laid next to the casing, hanging upon the socket connection cables.

Mounting the device

1. Determine the target position of the device with the use of the provided template and a level and mark the mounting openings.
2. Make mounting openings and fit the wall anchors.
3. Make sure there is no voltage on the power supply cable and prepare it according to the instruction.
4. Open the charging terminal according to the instructions in Section Opening the device.
5. Position the device to match the mounting openings and fix it with the appropriate screws.

⚠ WARNING

Fixing the device firmly is crucial to its proper operation when in service.

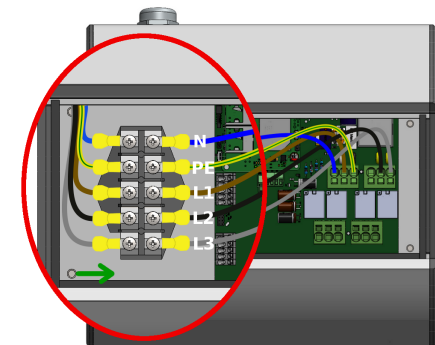
6. Lead the power supply cable through the cable gland, make a connection and tighten the cable gland.

⚠ WARNING

The manufacturer is not liable for damages resulting from not following the connection diagram presented above and not ensuring proper wire connection.

⚠ WARNING

The connection must be made by a person with the right qualifications.



7. Close the charging terminal following the instructions in Section Opening the device.

Preparing for use

Before the initial use of the charger make sure that:

1. The charger has been properly installed and poses no risk to the safety of the user.
2. The chargers has been initialized with the use of a configuring card.
3. The charger starts properly and informs about being ready to use.

Starting to charge

In order to start charging a car place the user card onto the RFID reader located behind the display. Applying the correct card will be signaled with lighting a sequence of diodes on a light bar in green and in one direction. Once the card is accepted:

1. connect the cable to the charger,
2. connect the cable to the car,
3. make sure it is locked correctly and the process of charging has initiated.

After performing those actions the charger will enter into the charging mode, which is communicated with a green light on the light bar and will present the charging level on the display. When charging the light bar will pulsate, radiating from the center towards the edges and the graphic interface bar will show a charging icon. Absence of the charging icon and/or a uniform green color on the light bar means the charger is ready for charging and is waiting for response from the car.

Finishing charging

In order to finish the charging process disconnect the charging cable from the car. It will cause the lock in the charger cable to release and the charger will return to stand-by. In case of RFID configuration applying the correct card once more will also result in stopping the charging process and releasing the lock.

The display



The user display includes four elements:

1. **The display area** — here the contents of particular steps is displayed,
2. **Status bar** — includes the most important information regardless of the step,
3. **Scroll bar** — informs which step the charging process is in,
4. **Banner** — includes additional information or hints for the current step.

INFO

Some elements of the interface may differ depending on the model or the charger configuration.

Status bar

The status bar, which is located in the top part of the display, is shown in each state the charger is in, except for the sleep mode and some messages. It informs about the current step of the charging process, the charging status, locks and available power.



On the left it shows the name of the current status:

- Authorize,
- Connect,
- Charging,
- Summary,

or error code in the event of an error while the device is operating.

On the right there are icons describing the state the charger is in and the available charging power.

- The plug is locked
- The plug is unlocked
- Charging in progress
- Warning:** line voltage on the socket pins

Technical specification

| Mechanic specifications | |
|-------------------------------------|--------------------------|
| Dimensions (width x height x depth) | 271 mm x 249 mm x 144 mm |
| Weight | 2,75 kg |
| Sealing class | IP54 |
| Impact strength | IK10 |

| Electrical specifications | |
|----------------------------------|--|
| Power supply cable cross-section | Suggested minimal cross-section <ul style="list-style-type: none"> • 5 x 2,5 mm² (16 A nominal current) • 5 x 6,0 mm² (32 A nominal current) |
| Supply voltage (Europe) | 3 x 230 V/400 V _{AC} |
| Voltage frequency | 50 Hz/60 Hz |
| Type of network | TN, TT |
| Overcurrent protection | Not part of the device. The protection must be made in compliance with the local regulations and with the device version. |
| Residual current device | RCD B switch or Enelion RCM B + RCD A |
| Protection class | Class I |
| Socket variant | Type 2, standard socket 32 A/400 V _{AC} according to EN 62196-1 |

| Environment | |
|----------------------------------|----------------------|
| Working temperature | from -25 °C to 55 °C |
| Storing temperature range | from -40 °C to 80 °C |
| Acceptable relative air humidity | from 5% to 95% |
| Altitude | Altitude 2000 m |

© 2021 ENELION

The instruction may be changed as the product develops. There is no guarantee as to the accuracy of the provided information. All rights reserved.

Document version: V 1.2
Date of issue: April 15, 2021

ENELION Sp. z o.o.
Pana Tadeusza 50 St. 80-123 Gdansk, Poland
www.enelion.com